

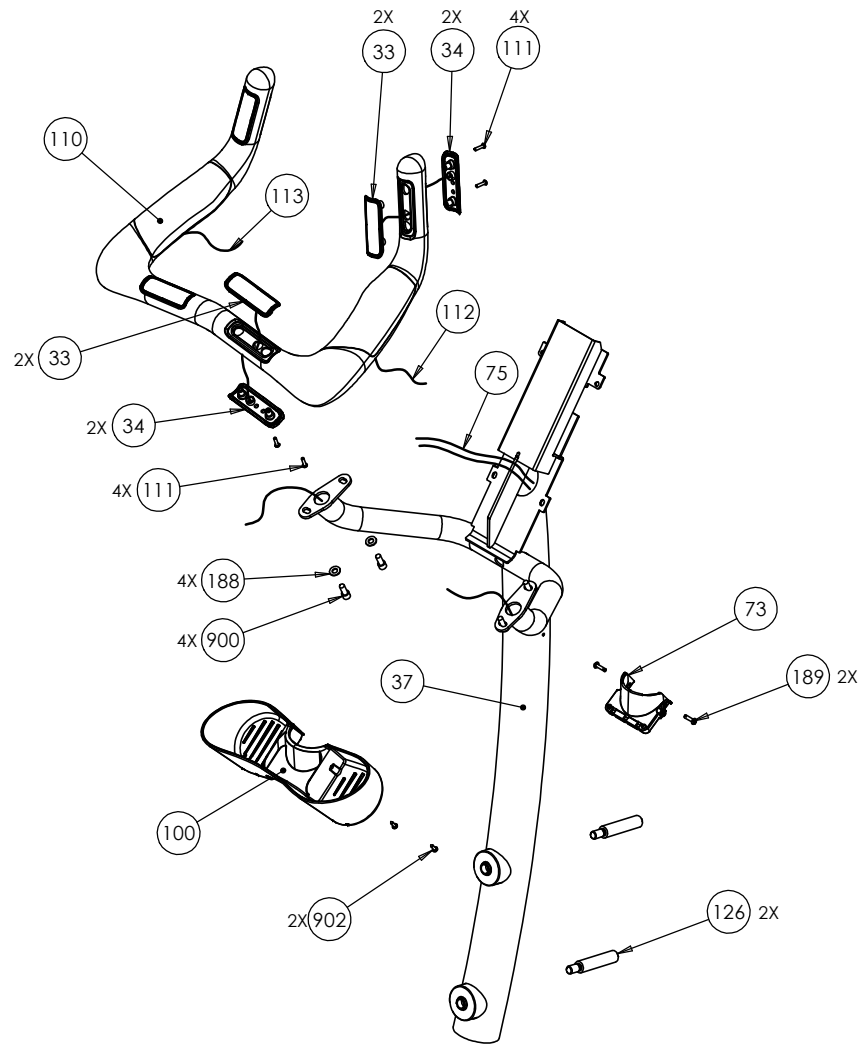
UBK 815	P/N : 300978-101	SUBREV : K
DRAWN BY : C THOMSON	DATE : 05 APR 2012	SHEET 1 OF 6

4

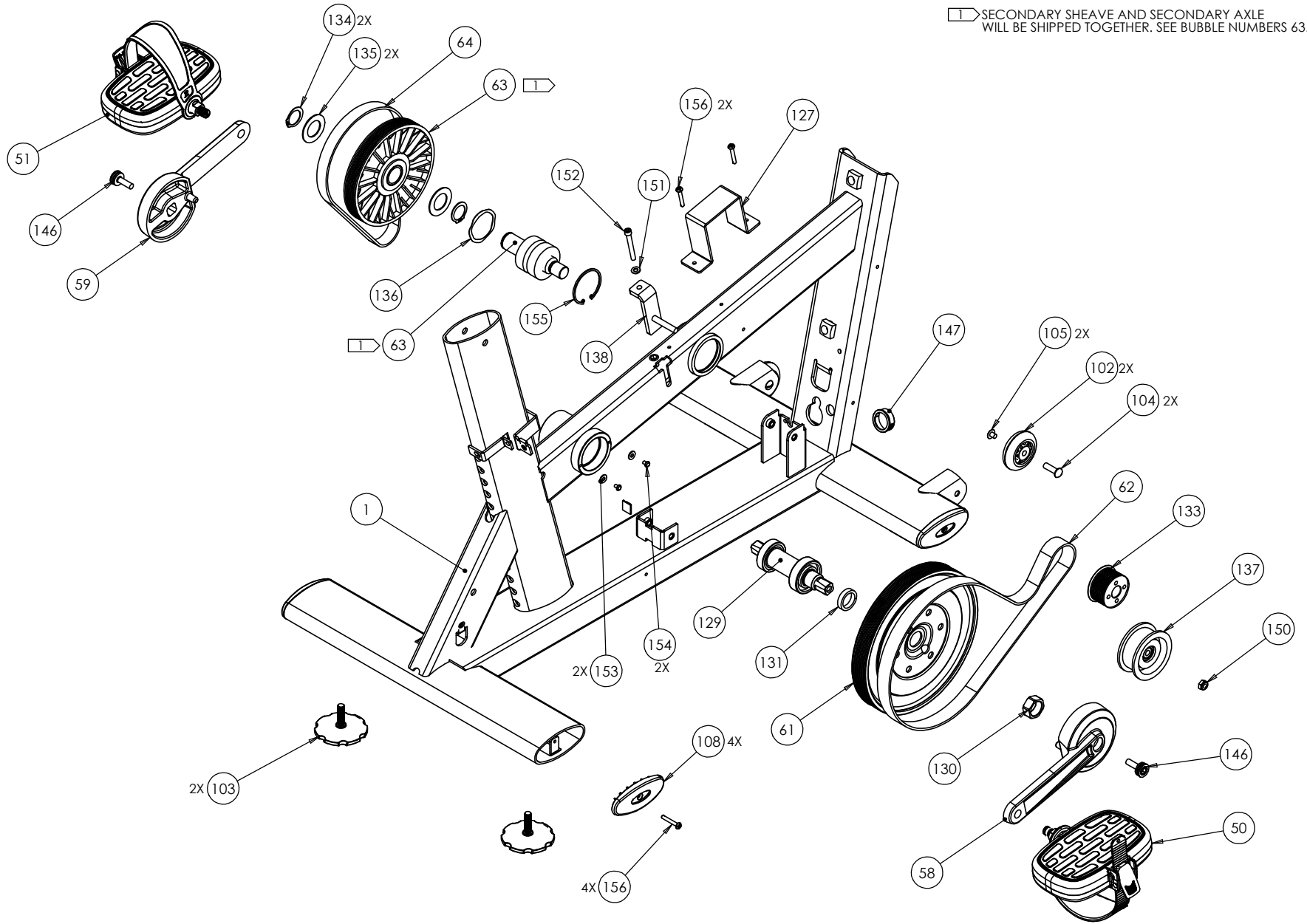
3

2

1



NOTES:  
 [ ] SECONDARY SHEAVE AND SECONDARY AXLE  
 WILL BE SHIPPED TOGETHER. SEE BUBBLE NUMBERS 63.

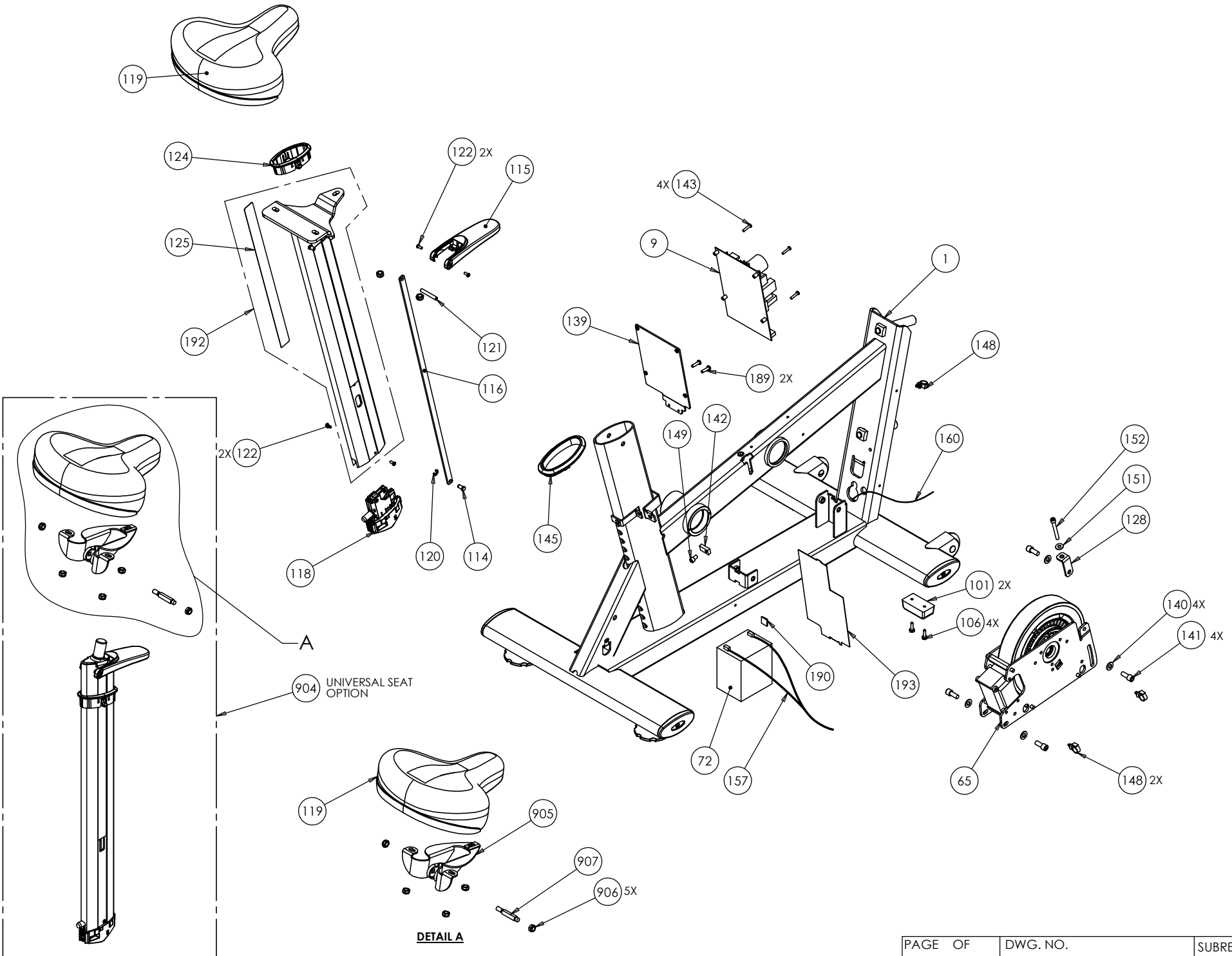


4

3

2

1



**DETAIL A**

D

C

B

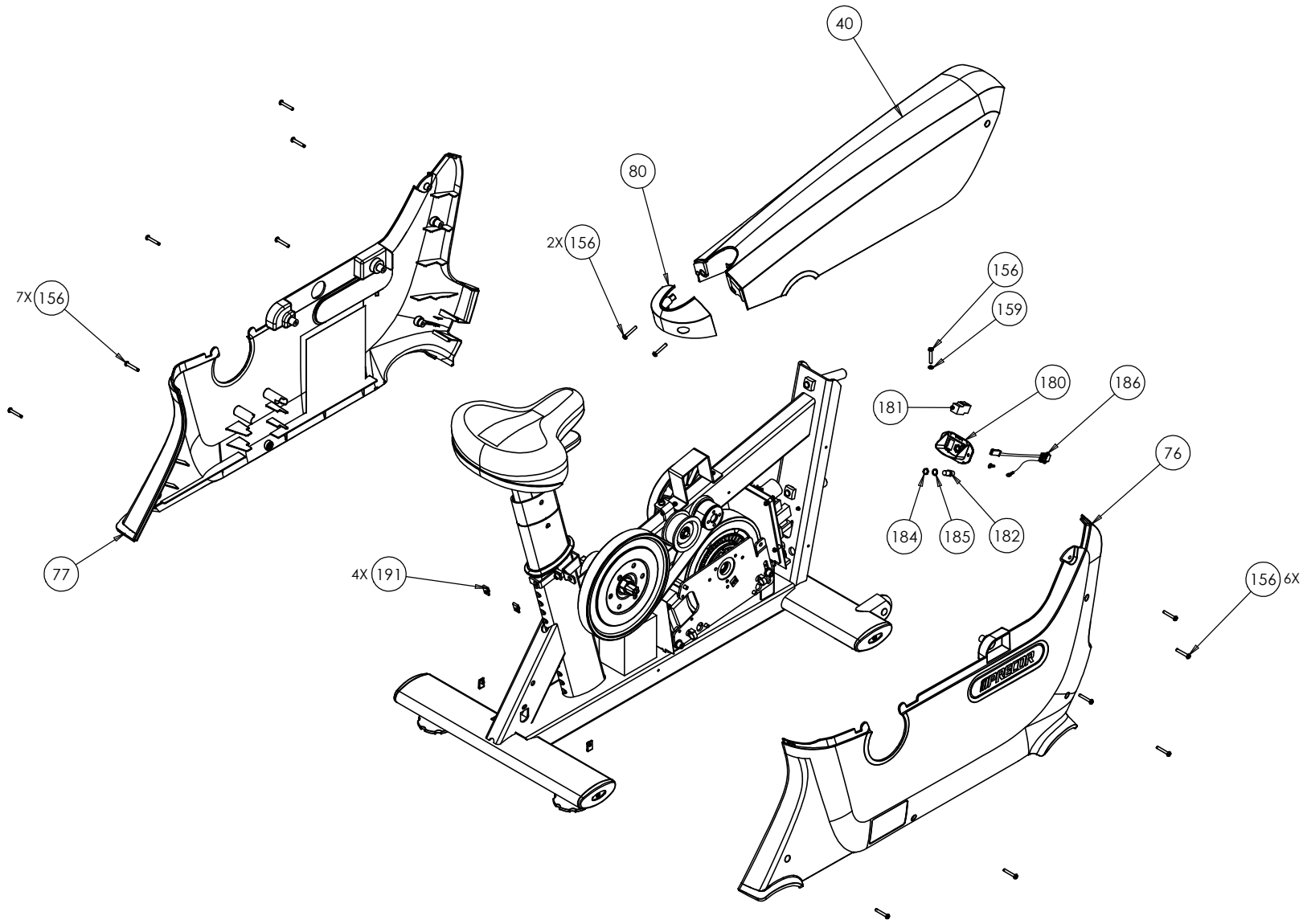
A

4

3

2

1

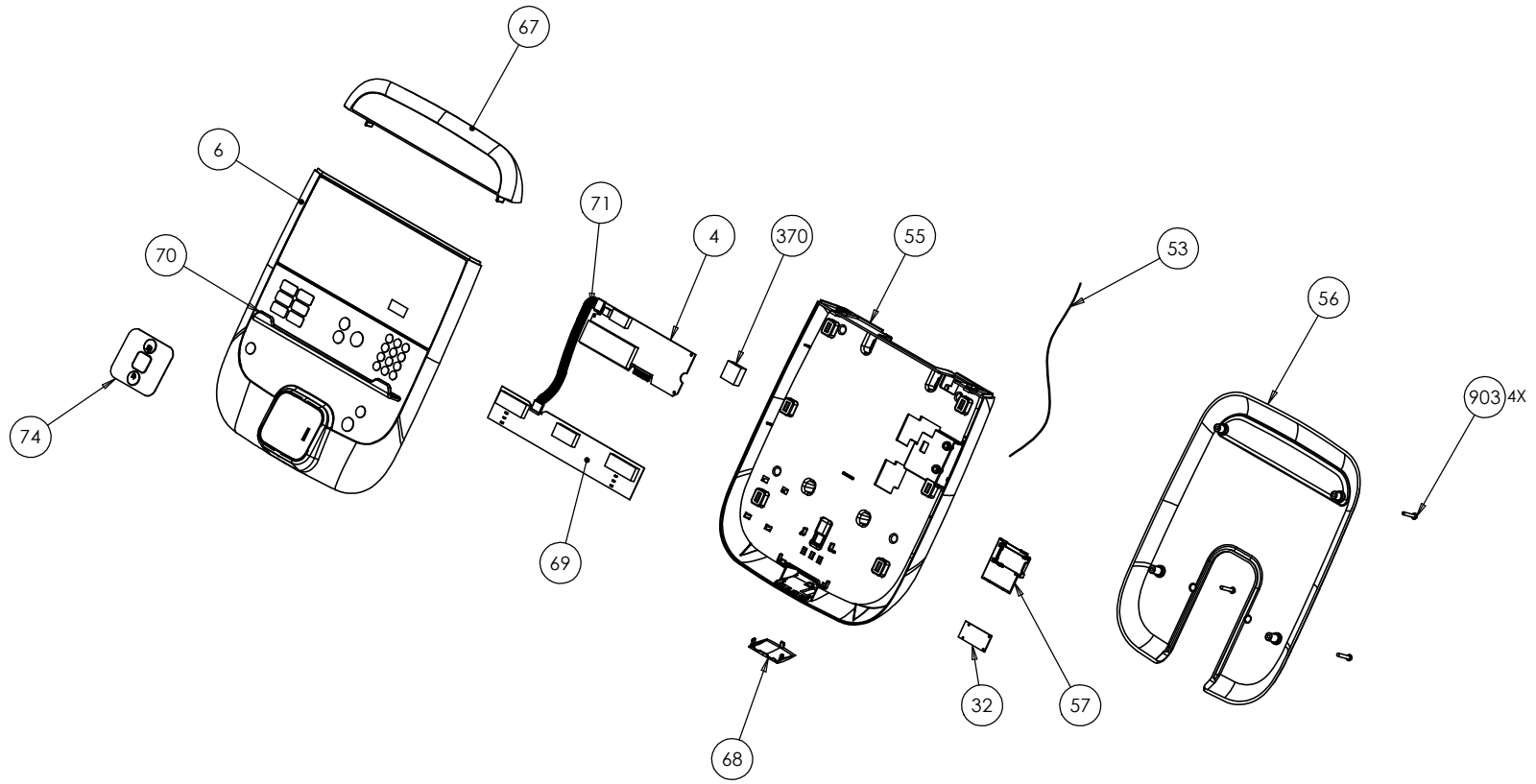


4

3

2

1



**UBK 815 (serial code A868, AYZG )**

<b>Part Number</b>	<b>Description</b>	<b>Bubble Number</b>
49862-101	ASSY, UPCA & SW, C842I W/ CSAFE	4
300858-101	ASSEMBLY, DISPLAY PANEL/LABEL, EN,	6
49445-102	ASSY, LOWER PCA & SW, LCSPAM BIKE,	9
49401-102	BOARD, CHR & WIRELESS, SALUTRON	32
300643-102	COVER, UPRIGHT, TOP	40
300527-106	PEDAL, BIKE, RIGHT	50
300527-105	PEDAL, BIKE, LEFT	51
35755-020	ASSY, CABLE, HHHR TO DISPLAY, 20"	53
48707-101	BACK PANEL, DISPLAY-C, W/O USB	55
48708-101	REAR COVER, DISPLAY-C, W/O HANDLEBAR	56
49744-102	SUPPORT, PLASTIC HR ADAPTER	57
300525-102	CRANK, BIKE, RIGHT	58
300525-101	CRANK, BIKE, LEFT	59
45440-103	PULLEY,INPUT	61
10217-135	BELT, DRIVE, 400J10 POLY V	62
58026-101	CS KIT, SECONDARY SHEAVE/AXLE UBK 1	63
10217-136	BELT, DRIVE, POLY V 260J8	64
300522-101	GENERATOR, BIKE	65
48713-101	TOP, DISPLAY-C, BLANK	67
48714-101	ACCESS PANEL, HEADPHONE JACK	68
48947-103	ASSY, PCA & SW, DISPLAY-C, METRICS,	69
48602-009	ASSY,CABLE,6C,.1 CTR,1-1,GOLD,9"	71
12258-040	BATTERY,SLA,12V,4AH,.187 TABS	72
48778-102	LABEL, SNAP DOME, 3 BUTTON BIKE	74
300886-102	ASSY, COVER, UPRIGHT, RIGHT	76
300885-102	ASSY, COVER, UPRIGHT, LEFT	77
300633-101	COVER, UPRIGHT, REAR	80
300638-101	BOTTLE HOLDER, UPRIGHT	100
31074-104	FOOT, FIXED,	101
301665-101	WHEEL,TRANSPORT, 19X60, BLACK	102
39916-103	FOOT, ADJUSTING,NO LOGO	103
KBKCN025-100	NUT,BARREL,STEEL,TRUSS HEAD,UNC,1/4	104
MCCN025-031	SCREW,1/4-20 X 5/16, MACH, TRUSS PH	105
PKCN019-075	SCREW,S/T,#10X.75,WSHHXHD,ZN	106
300531-101	ENDCAP, ELLIPTICAL	108
300615-101	HANDLEBAR, OVERMOLDED, UPRIGHT	110
TCNN016-075	SCREW, BTHD, 8-32X.75,SS	111
40133-018	ASSY,CABLE,DUAL,HHHR RIGHT GRIP,W/S	112
40132-018	ASSY,CABLE,DUAL,HHHR LEFT GRIP,W/SH	113
13027-101	PIN, CLEVIS, E-RING GROOVE, 1/4 DIA	114
300613-101	HANDLE, SEAT ADJUST, UPRIGHT	115
301557-102	LINK, ADJUSTABLE SEAT RELEASE, FLAT	116
300627-102	ASSEMBLY, SEAT ADJUST SLIDER	118
301525-101	SADDLE, UPRIGHT BIKE, PU (RX P/N 10	119
AECN025-002	E-RING, 1/4" DIA, .025 THICK	120
300631-101	PIN, HANDLE, LINK CONNECT	121
MGCE016-038	SCREW, MCH, 8-32 X 3/8, PHIL PAN H	122
300634-102	PLASTIC, SEAT POST TOP BUSHING	124
300652-101	BRACKET, COVER SUPPORT	127

300520-101	TENSIONER, GENERATOR	128
300528-101	ASSEMBLY, INPUT SHAFT	129
300515-101	LOCKNUT, INPUT PULLEY	130
300517-101	SPACER, INPUT SHAFT	131
45450-105	SHEAVE, SECONDARY AXLE	133
ABHN025-002	RING, RETAINING, 25MM EXTERNAL	134
12089-103	26MM THRUST BEARING IGUS,LTM-2644-0	135
WAKNN044-004	WASHER, WAVE, SSB-0205	136
300518-101	IDLER, MODIFIED	137
300519-101	TENSIONER, IDLER	138
301649-103	BRACKET, LPCA, BIKE	139
WBCN031-007	WASHER,FLT,5/16X.688X.065, ZN	140
CATN031-075	SCREW,SKHD,5/16-18X0.75,BLK SHARPER	141
300625-101	STOP, SEAT POST, UPPER	142
MGCN016-075	SCREW,MCH,8-32X3/4,PANHD,PHIL,	143
300639-101	COVER, UPRIGHT GASKET	145
300526-101	BOLT, CRANK RETAINER	146
10178-110	BUSHING,SNAP-IN,1.25OD X 1.0ID	147
12414-101	CABLE CLAMP INSERT,SNAP IN	148
CATN025-038	SCREW,SKHD,1/4-20X3/8,BLK SHRPRZD	149
KDCN031-025	LOCKNUT, FULL 5/16-18, ZINC	150
WNCN026-006	WASHER,FLT,1/4X.625X.063,ZN	151
CAMN025-200	SCREW,SKHD,1/4-20X2,ZN (MECH PLATIN	152
WACN019-005	WASHER, FLT, #10X.500X.049,ZN	153
MGCE019-025	SCREW, P/H, MACH, 10-24 X 1/4, NYLO	154
ADHN052-002	RING, RETAINING, INTERNAL (52MM)	155
PANTA019-125	SCREW,S/T,#10-24X1.25, PANHD,PHIL,T	156
45250-036	ASSY,CBL,2C,18AWG,QK DISC,36"	157.01
45250-030	ASSY,CBL,2C,18AWG,QK DISC,30"	157.02
WAMCN019-002	WASHER, LOCK, EXT TOOTH, #10	159
44905-072	ASSY,CBL,MOD,8P8C,1-1,SILVER,72"	160
WBCN031-007	WASHER,FLT,5/16X.688X.065, ZN	188
PANTA019-075	SCREW,S/T,#10-24X0.75, PANHD,PHIL,T	189
12262-104	WIRE CLIP, FOAM TAPE BACK, BUNDLE 0	190
10136-109	CLIP, TINNEMAN, 10-24, TAPPED HOLE	191
58029-101	CS KIT, SEAT POST WELDMENT W/ LABEL	192
301698-103	BRACKET, THERMAL SHIELD	193
WBCN031-007	WASHER,FLT,5/16X.688X.065, ZN	250
KARCN008-008	NUT, PLAIN HEX, M8	251
49778-101	FOAM, ANTI-STATIC 1" X 1" X .5" THI	370
KAACN008-004	NUT, JAM, M8 X 1.25 4MM TALL	371
300618-102	ASSEMBLY, SEAT POST, UNIVERSAL (OPT	904
301821-102	WELDMENT, SEAT BRACKET	905
KFMN008-007	LOCK NUT, NYLON INSERT, M8 X 1.25 X	906
301029-101	STUD, SEAT CLAMP, 8MM X 1.25 X 60	907